

Purifies Your Indoor Air While Protecting Your HVAC System

WORKS WITH YOUR DUCTED SYSTEM!

Quantum PCO[®] Pro Plus+



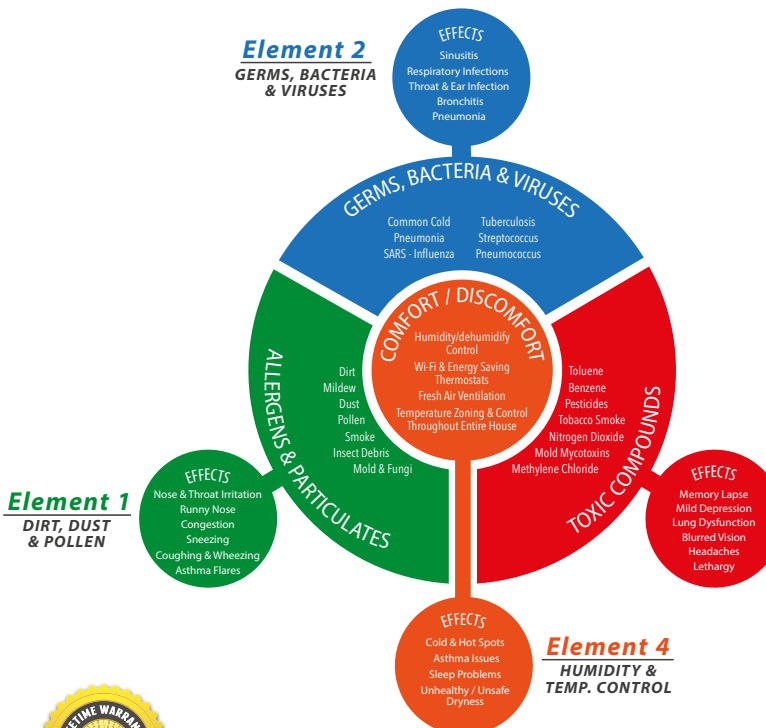
PRODUCT DETAILS

Quantum PCO Pro Plus is an Advanced Air Treatment System engineered to “scrub” & “detox” your indoor air. Utilizing the latest in air scrubbing technology, this product kills airborne bacteria, viruses, molds & pathogens, while it oxidizes your air. This unique combination enhances air purification by constantly scrubbing your indoor air as it freely circulates, while prolonging the life of your AC Unit.

- Enhanced purification for your indoor air
- Uses safe, ozone free, processes to clean indoor air
- Keeps your HVAC unit “mold free” & energy efficient

FEATURES

- Works on odors, VOC’s & microbials
- UVGI, carbon matrix & PCO oxidation
- 4.5” programmable color touchscreen
- Audible & visual service notification
- Ozone free plus UVV option & dual 254 nanometer lamps
- Large active surface area & auto sensing ballast
- Optimized tri-process air treatment



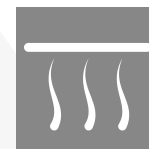
This Product Controls

- 1 2 3 4

The EPA has ranked indoor air pollution among the top five environment dangers to the public.



AIR STERILIZER



ODOR CONTROL



ALLERGIES

APPLICATION

- Great for homes with pets
- Relief for individuals with asthma
- Allergy relief
- Controls odors



PRODUCT SPECIFICATIONS

POWER REQUIRED	MODEL DESIGNATION	HIGH TEMP	COLOR SCREEN	LAMP REPLACEMENTS	LAMP HOURS	LAMP TYPE	UVV OPTION	AMP DRAW	PCO HC TRAYS	CARBON MATRIX HC TRAYS
24 TO 270 VOLT	PCOPL-OH-HTEMP-18W9B	YES	NO	TFI-UVC-NOOZ-18W9	9000	254 N	YES	1A/2A	9" (1)	9" (2)
24 TO 270 VOLT	PCOPL-OH-HTEMP-18W9B	NO	YES	TFI-UVC-NOOZ-18W9	9000	254 N	YES	1A/2A	9" (1)	9" (2)
120 TO 270 VOLT	PCOPL-OH-HTEMP-36W16B	YES	NO	TFI-UVC-NOOZ-36W16	9000	254 N	YES	.35A	16" (2)	16" (4)
120 TO 270 VOLT	POW PCOPL-OH-HTEMP-36W16B ER	NO	YES	TFI-UVC-NOOZ-36W16	9000	254 N	YES	.35A	16" (2)	16" (4)
120 TO 270 VOLT	PCOPL-OH-HTEMP-55W16B	YES	NO	TFI-UVC-NOOZ-55W16	9000	254 N	YES	.35A	16" (2)	16" (4)
120 TO 277 VOLT	PCOPL-OH-TOUCH-55W16B	YES	NO	TFI-UVC-NOOZ-55W16	9000	254 N	YES	.35A	16" (2)	16" (4)

INSTALLATION INSTRUCTIONS

Step 1

Use rubber template for installation location. Peel off backing and mount. (Figure 1)

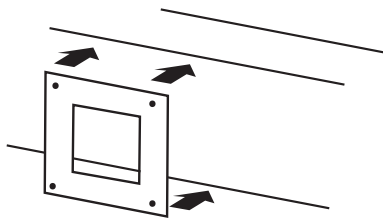


Figure 1

Step 2

Cut access hole in duct. (Figure 2)

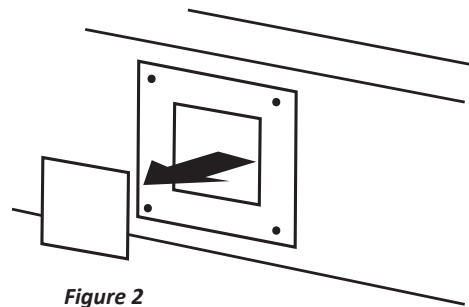


Figure 2

Step 3

Mount base plate to duct - 4 screws. (Figure 3)

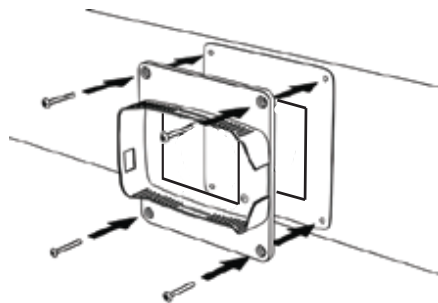


Figure 3

Step 4

Slide the complete assembly into the base plate as shown. Depress the upper & lower UV module locking tabs to "snap" into place. (Figure 4)

Locking Tabs

Locking Tabs

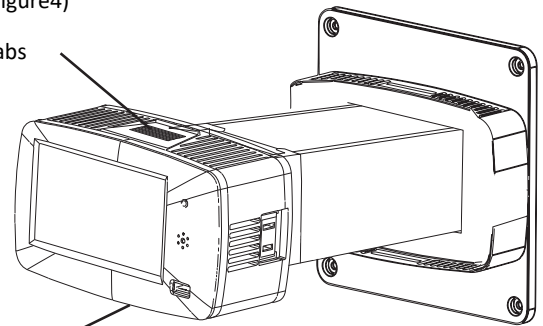


Figure 4

Step 3

Mount base plate to duct - 4 screws. (Figure 3)

SAFETY NOTES

CAUTION: UVC Light can be hazardous to your health. Please contract your local One Hour for lamp replacement.