

One kit that replaces them all!

Universal Single Stage Furnace Control Kit



PRODUCT DETAILS

The **One Hour Universal Single State Furnace Control Kit** is a high-quality replacement for most single stage carbide and nitride HSI systems. It includes everything you need for quick and accurate replacement.

- Ignition Control Module - 50M56-843
- 12 Quick-Select/Quick-Connect Wiring Harnesses
- HotRod™ Universal Ignitor Kit - 21D64-2
- Installation Instructions and OEM Cross-Reference

FEATURES

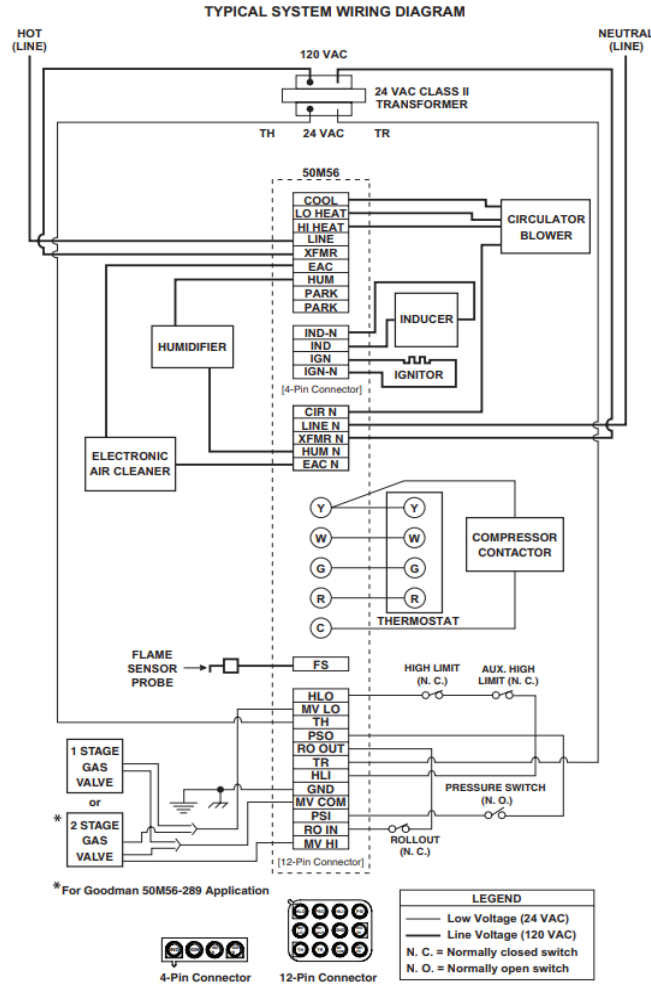
- 3 Fan Speeds - Cool, Low Heat & High Heat Speeds(Terminal Connections)
- Color-Coded (Labeled) Thermostat Connection -For Quick Helpful Selection
- System Diagnostics, with Fault Recall (Stored)
- Cover Label - Displays Diagnostic Table
- Red LED Light - Used for Diagnostic Flash Codes
- Low Voltage - Fuse Protection -3A Replaceable Automotive Type
- Humidifier & Electronic Air Cleaner Connections (Optional)

APPLICATION

- Replaces virtually All White-Rodgers and Competitive Single Stage Carbide and Nitride HSI Systems -Including Carrier Systems.



WIRING DIAGRAM



SAFETY NOTES

- Do not exceed the specified voltage.
- Replace existing control with exact model and dash number.
- Protect the control from direct contact with water(dripping, spraying, rain, etc.).
- If the control has been in direct contact with water, replace the control.
- Label all wires before disconnection when servicing controls. Wiring errors can cause improper and dangerous operation.
- Route and secure wiring away from flame.
- Disconnect electric power before servicing.
- Ensure proper earth grounding of appliance.
- Ensure proper connection of line neutral and line hot wires.
- Shut off main gas to appliance until installations complete.

