

21D64-2

It's Durable, Reliable, and Replaces More Ignitors

**REPLACES MOST
IGNITORS!**



HotRod™ Universal Hot Surface Ignitor

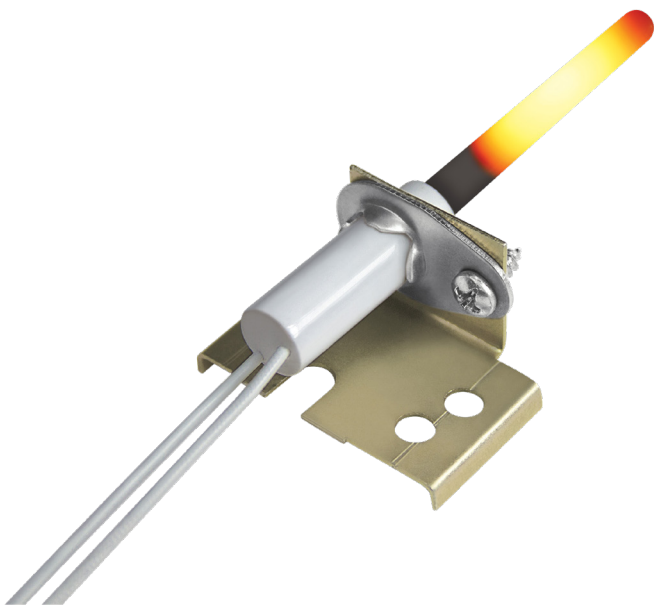
PRODUCT DETAILS

The HotRod™ Universal Hot Surface Ignitor is a durable, dependable replacement for over 150 ignitors on forced air furnaces, boilers and water heater applications. This nitride ignitor is connected in the existing HSI system, ensuring consistent performance and long ignitor life.

- Universal breakaway bracket makes installation easy, eliminating the need for multiple brackets
- Nitride construction -used in most OEM applications

FEATURES

- Nitride ignitor with 15.5" leads
- One "universal" mounting bracket and screw
- Mounting adapter bracket and 2 ceramic wire nuts
- Updated manufacturer cross-reference
- Nitride upgrade furnace label and instruction booklet
- 5 Year limited warranty



APPLICATION

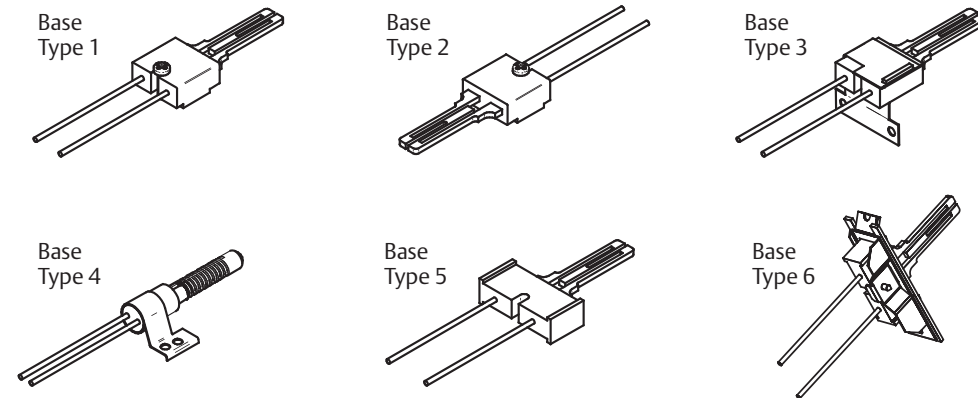
- Gas-fired, forced-air furnaces
- Water heaters
- Boilers



The HotRod EX universal kit replaces:

120 Volt Flat Silicon Carbide Ignitors	120 Volt Round Spiral Silicon Carbide Ignitors
120 Volt Round Silicon Nitride Ignitors	120 Volt Flat (Large and Small Format) Silicon Nitride Ignitors

TWO BRACKETS INCLUDED TO REPLACE THESE CERAMIC BLOCK-STYLE SILICON CARBIDE IGNITORS



INSTALLATION INSTRUCTIONS

1. Turn off the gas and electrical supply of the appliance.
2. Unplug the ignitor to be replaced from the appliance wiring harness and remove the ignitor. Remember to save the original bracket mounting screw(s) as this will be required when installing the new HotRod EX ignitor.
3. Examine the existing ignitor configuration and check the cross reference list and/or ignitor assembly pictorials to determine the bracket configuration required.
4. Using pliers or a similar tool, snap-off the bracket tabs (labeled 1, 2, and 3) necessary to properly configure the bracket.
5. Install the correctly configured bracket to the appliance with the original bracket mounting screw.
6. Cut off the original ignitor connector on the appliance wire harness and strip the two wire leads to be connected to the HotRod EX ignitor.
7. Install the HotRod EX ignitor onto the replacement bracket using the tapping screw provided.
8. Confirm that the replacement ignitor mounting is fitted properly. If the bracket has been configured properly, the new ignitor position will be similar to the original ignitor position.
9. Using the wire nuts provided, attach the wire leads from the ignitor to the stripped leads on the wire harness. Make sure no portion of the stripped wire ends are exposed outside of the wire nuts.

SAFETY NOTES

- Turn off or disconnect the electrical power from the appliance before the installation of this product.
- All wiring of the appliance must comply with the manufacturer's instructions and local and national electrical codes.
- Ensure proper connection of line neutral and line hot wires.
- Shut off the gas supply to the appliance before installing this product. Failure to shut off the gas supply could result in fire or explosion during the installation and testing of the product.

