

# Stop Water Leaks & Clogged Drains

**AVOID COSTLY WATER  
BACKUP DAMAGE**



## Pan Treatment Strip One-Hour

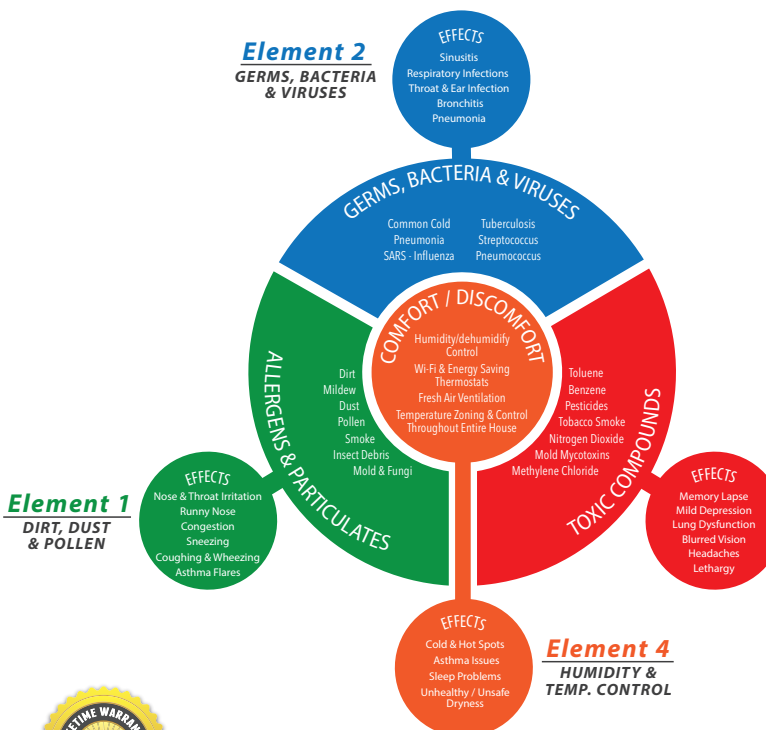
### PRODUCT DETAILS

The pan treatment strip reduces fungus, mold, mildew bacteria and other microorganisms that can build up in your A/C unit's drip pan. These contaminants form a slimy buildup in the pan and drain line, causing overflows, water leaks, corrosion, damage to your system, and foul-smelling odors. The pan treatment strip destroys the buildup that causes these issues within your HVAC equipment.

- Stops water leaks and clogged drains
- Protects equipment from corrosion and damage
- Reduces slimy buildup in your drip pan and drain line
- Kills fungus, biological material and mildew and odor causing bacteria

### FEATURES

- Provides dependable, sustained time-released protection
- Adds a light, pleasant scent to the air as it works
- Lasts up to 6 months
- Essential HVAC accessory to prevent HVAC drain clogging



This Product Controls



The EPA has ranked indoor air pollution among the top five environment dangers to the public.



**STOPS LEAKS**



**ODOR CTRL**



**ALLERGIES**

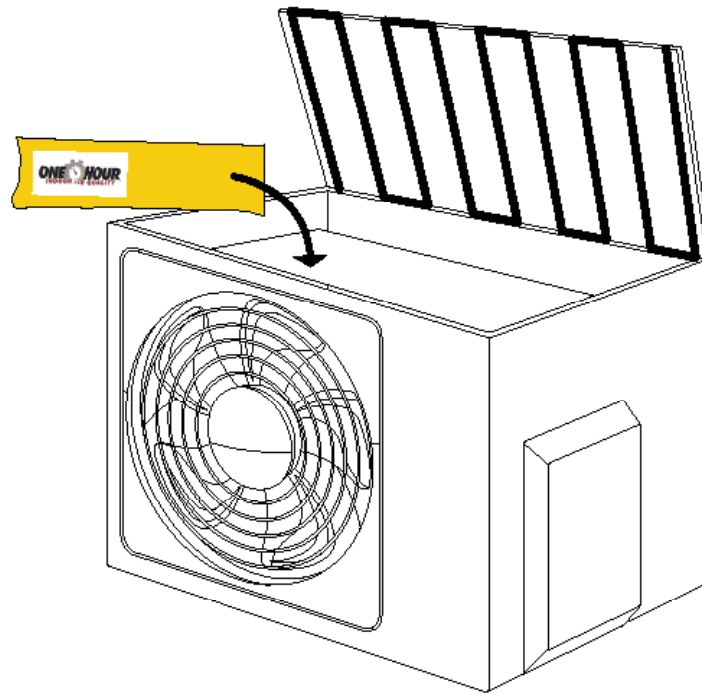
### APPLICATION

- Leaky or overflowing A/C units
- Clogged drain lines
- Problems with odors and corrosion in HVAC unit



PRODUCT	A/C CAPACITY
#CHM00494Y	Up to 1 ton unit
#CHM00496Y	1-2 ½ ton units
#CHM00495Y	3-5 ton units

## PRODUCT SCHEMATIC



## INSTALLATION INSTRUCTIONS

1. Place the pan treatment strip in the unit's drip pan
2. When the strip is put into the drain pan, upon getting wet, the strip releases a strong dose at first to shock the mold and bacteria in the pan
3. It then levels out and releases a little at a time and will keep releasing for up to 6 months.
4. Remove and dispose of the used polymer shell and protective sock after 6 months and replace with a fresh strip

## SAFETY NOTES

- Active ingredients include quaternary ammonium (pesticide), a surfactant, and a corrosion inhibitor
- All active ingredients are washed out of the protective sock after 6 months of use, and it is safe to dispose of.

