

OH-SPD 252

# Superior Power Surge Protection for HVAC Equipment

## Safety Sentry Surge Protector One-Hour



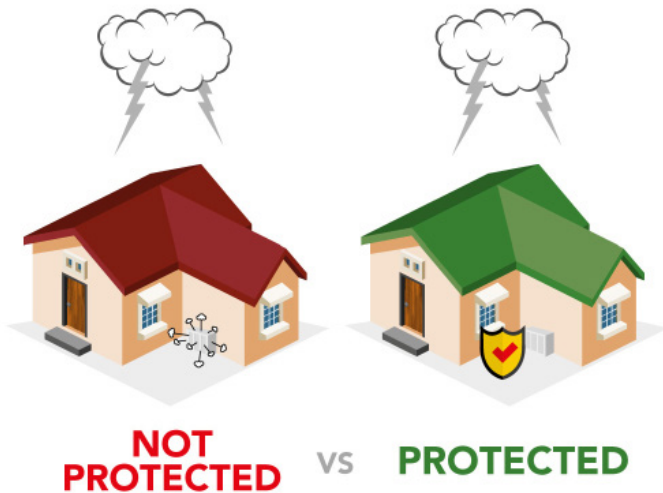
### PRODUCT DETAILS

The Safety Sentry Surge Protector acts as a powerful shield, protecting expensive HVAC equipment from damaging electrical surges, lightening surges and grid spikes. Incorporating the latest in patented surge protection technology, this product provides up to 70% MORE PROTECTION.

- Also protects furnaces, heat pumps, motors & refrigerators
- Engineered to withstand greater & more frequent surges
- Dual visual lights indicates when protection is being provided

### FEATURES

- TUV Certified to UL-1449 3rd Edition
- Two Diagnostic Lights: Green LED indicates surge protection is present Red LED indicates the device has power
- Device built with Patented MOV protection parts
- Response time of < 5 nanoseconds
- Easy installation at the electrical panel or A/C disconnect
- Type 4X enclosure
- 3 year product warranty
- 3 year connected equipment warranty



### APPLICATION

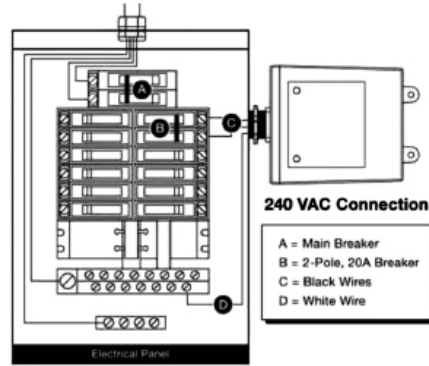
- Circuit Boards
- Air Conditioners
- Furnaces
- Heat Pumps
- Refrigeration Systems



**PRODUCT SPECIFICATIONS**

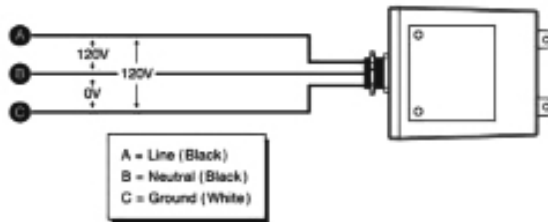
Model	Phase	Voltage Protection Rating	Voltage	Max Impulse Current
150 kA Model	1	600V (L-G, L-N), 900V (L-L)	120/240VAC	100kA

**ELECTRICAL PANEL INSTALLATION**

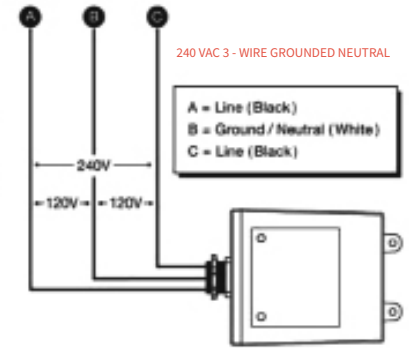


**A/C DISCONNECT INSTALLATION**

120 VAC 2 - WIRE SINGLE PHASE WITH SEPARATE GROUND



240 VAC 3 - WIRE GROUNDED NEUTRAL



**INSTALLATION INSTRUCTIONS**

1. All SPD 252 protection devices include two black wires and one white Grounded/Natural wire. The recommended place of installation is at the electrical panel servicing the load. Since surge protectors work by forcing the voltage spikes to ground, it is imperative that proper grounding be provided as required by local electrical codes.
2. For 120/240 VAC installations, connect each black lead to each of the hot lines and the Grounded/Neutral white wire to the neutral bus bar as shown in the figures.
3. For 120VAC installations, connect both black leads to the line (hot) and the Grounded/Neutral white lead to the neutral bus bar. This type of installation is commonly found at individual pieces of equipment.
4. Connection may also be made to the neutral/ground bus bar if no separate ground bus bar is provided.
5. All conductor lengths should be as short as possible and bends should not be sharp; a 4" bend radius or wider is recommended.
6. For best performance use #12 AWG leads, 240V, 20A, 2 pole circuit breakers.
7. The SPD 252 surge protectors can be installed by removing a knockout from the disconnect or the panel box, inserting the nipple end and the wires of the surge protector through the exposed hole and tightening the retaining ring nut. These devices can also be installed using the tabs at the top of the housing and sheet metal screws.

**SAFETY NOTES**

- The use of personal protective equipment is always recommended.
- These are TYPE 2 devices intended to be connected to the load side of the service panel. TYPE 2 devices are designed to be installed with over-current protection.
- Suitable for use on a circuit capable of delivering no more than 20,000 rms symmetrical amperes.

