

# Eliminate Problems Caused by Dry Air



## Comfort Sentry™ Elite Steam Humidifier



CSDS15-OH  
CSDS25-OH

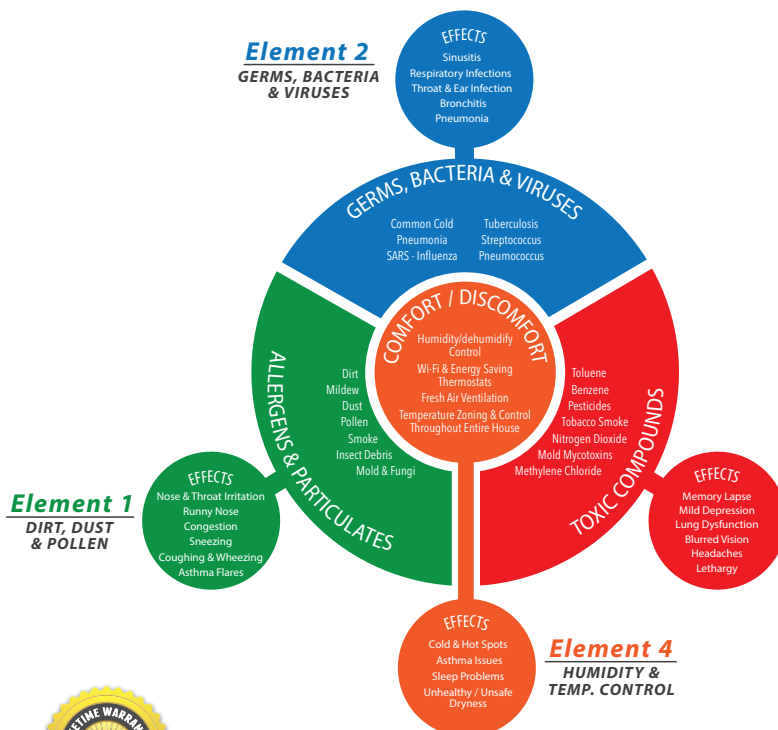
### PRODUCT DETAILS

The Comfort Sentry™ Elite Steam Humidifier introduces steam into your furnace distribution system, making your indoor air more comfortable. Research has shown that 40% to 60% relative humidity is ideal for today's homes. Outside this range, bacteria, fungi, viruses and mites thrive, range, bacteria, fungi, viruses and mites thrive. Proper relative humidity provides a comfortable environment for your woodwork, furniture, plants, pets, you and your family.

- Reduces heating costs
- Protects valuables such as woodwork, furniture, artwork, and electronics
- Great for indoor plants and pets

### FEATURES

- Model DS15P: 15 GPD
- Model DS25: 25-35 GPD
- GFX3 Automatic Digital Display included
- 5.5 lbs/hr of steam
- Easy to install and minimal maintenance
- Heat treated, reinforced plastic
- 2-Year limited warranty



### This Product Controls



The EPA has ranked indoor air pollution among the top five environment dangers to the public.



**HUMIDIFIER**



**ENERGY AWARE**

### APPLICATION

- Reduce dry or itchy skin caused by dry air
- More comfortable indoor air that feels warmer

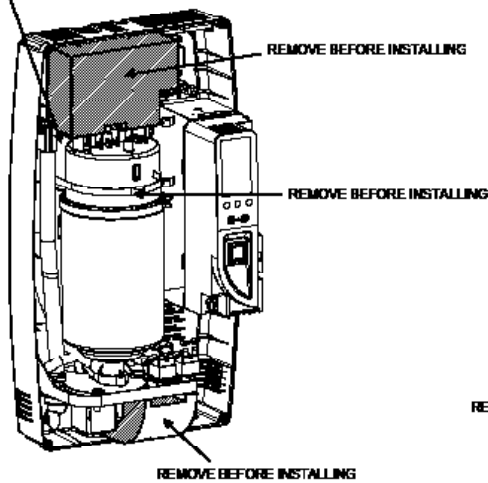


### Thermostat Application Guide

		Notes
Steam flows, VAC, kW	5.5 lbs/hr (2.5 kg/h): 110 VAC 1-phase 50-60 Hz, 1.86 kW 12 lbs/hr (5.4 kg/h): 230 VAC 1-phase 50-60 Hz, 4.05 kW	
Steam pressure	3.81 in WC / 950 Pa	For duct only
Dimensions (mm)	24" x 14" x 8" (600 x 341 x 204 mm)	(Height x Width x Depth)
Weight empty/packaged/installed with water	18/22/26 lbs. (8/10/12 kg)	
Electrode power cables	12 AWG	
Input water type	Potable water	no demin. or softened water
Conductivity range	125-1250 µS/cm	Special cylinders for cond. < 350
Water fill connection	1/4" O.D. Compression	Adapter to 3/8" FPS
Water fill - instant flow	0.09 - 0.16 gpm (0.35 - 0.60 l/min)	
Drain connection	32 mm O.D. (1.25")	Adjustable from horizontal to vertical. May be from back or bottom of unit.
Drain water temp	< 140°F (< 60°C)	drain tempering device
Drain flow	Initial Max drain rate - 7 gpm (26.2 l/min) (w/ full cylinder - for the first 10-15 seconds of drain cycle) Average drain rate - 3.1 gpm (11.7 l/min) (measured over a one minute period starting with full cylinder)	
Embedded fan flow	71 cfm (120 m <sup>3</sup> /hr)	Direct Room Discharge Only
Unit Voltages	Primary 120 / 240 Volts AC Control Wiring 12 Volts DC	

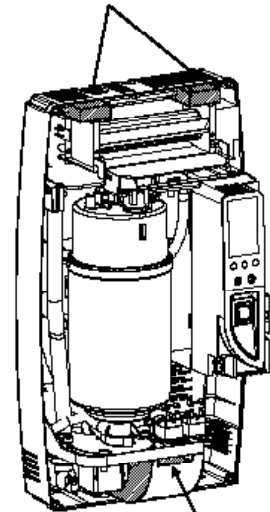
### QUICK REFERENCE

LATCH THE CYLINDER CLAMP



REMOVE BEFORE INSTALLING

TALLING



REMOVE BEFORE INSTALLING

### INSTALLATION NOTES

1. Choose suitable location on wall for mounting, one that is close the point that the steam will be used.
2. Drill the wall according to the drilling template supplied. Remove the 4 corner screws to remove the front cover. Secure Elite Steam firmly to the wall using the screws and anchors supplied, and re-attach the front cover.
3. Supply un-softened water to the unit using a soft poly hose and tubing support. The fitting threads into the fill valve inlet location on the bottom of the humidifier using a 3/8" G connection.
4. Route the drain line out of the back or bottom of the unit using the included angle fitting.
5. Run the steam hose. When running the hose, remember that steam flows uphill, and condensate flows downhill. Run the hose in such a way that the steam can flow to the distributor pipe and the condensate can run back to the unit.
6. Wire unit in accordance to local eclectic codes and the rating plate inside the unit.

### SAFETY NOTES

- Always disconnect the main power before opening or servicing the humidifier.
- Scalding hazard: The humidifier has hot parts (100°C/ 212°F).

