

# Maintain Proper Indoor Humidity For Greater Comfort

CS1000M-OH

CS1000A-OH

## Comfort Sentry™ Elite Flow-Through Humidifier



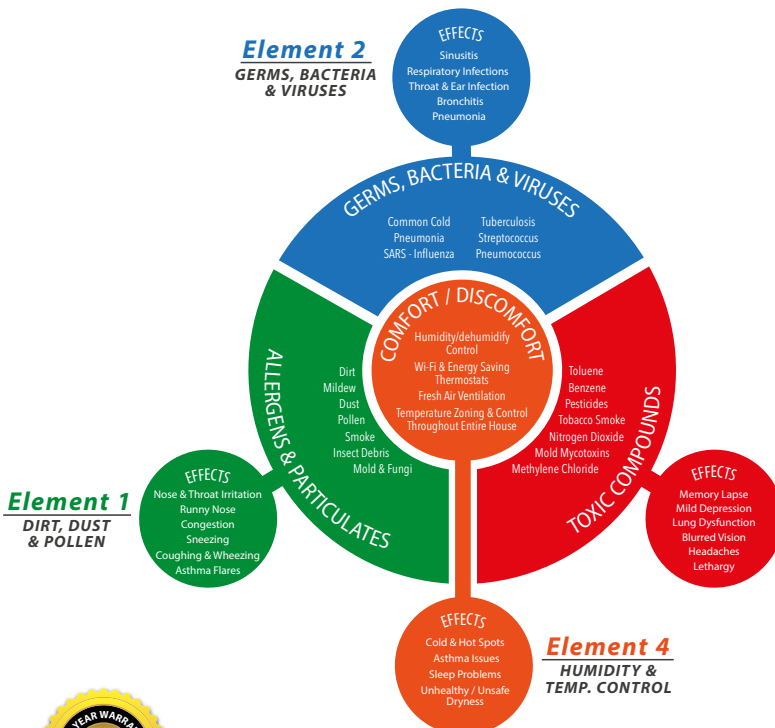
### PRODUCT DETAILS

The Comfort Sentry™ Elite Flow-Through Humidifier 1000 adds moisture into the airflow of your heating system, providing comfort as it humidifies your home. Between 40% to 60% relative humidity is ideal for today's homes. Outside of this range, bacteria, fungi, viruses and mites thrive. This fan-powered humidifier provides a healthier environment for your woodwork, furniture, plants, pets, and your family.

- Reduces heating costs
- Protects valuables such as woodwork, furniture, artwork, and electronics
- Great for indoor plants and pets

### FEATURES

- Available with automatic control (#CS1000A-OH) or a manual duct-mounted humidistat (Part#CS1000M)
- 18 GPD bypass humidifying up to 3000 sq. ft.
- Easy to remove from housing and easy to install
- Reinforced tabs and heat treated reinforced plastic
- 10 year warranty



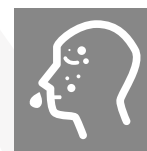
### This Product Controls

- 1
- 2
- 3
- 4

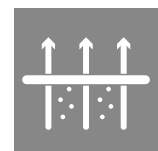
The EPA has ranked indoor air pollution among the top five environment dangers to the public.



HUMIDIFIER



ALLERGIES



AIR CLEANER

### APPLICATION

- Relief for allergy and asthma symptoms
- Reduce dry or itchy skin caused by dry air
- More comfortable indoor air that feels warmer

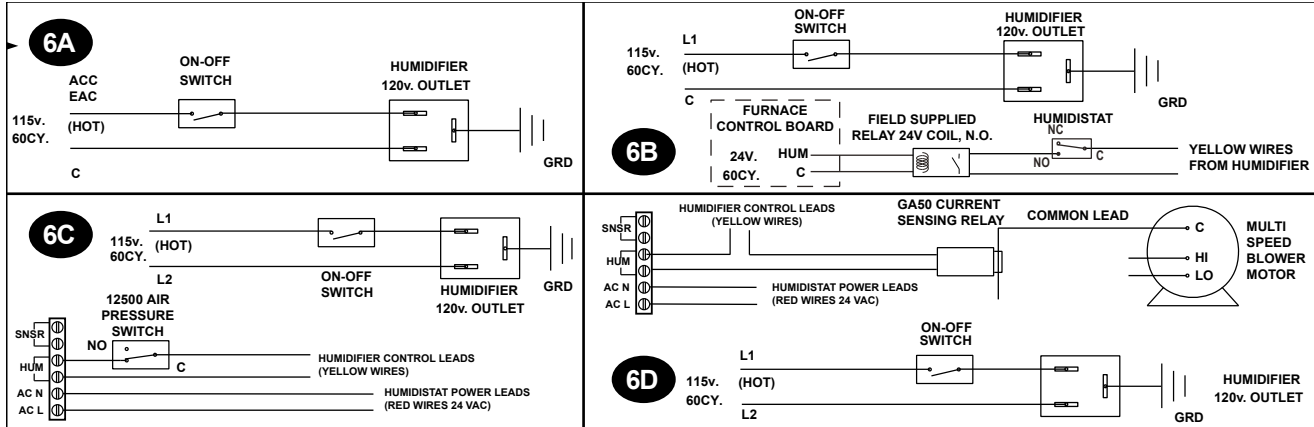
### Element 3 TOXIC GASES & ODORS



## Humidifier Performance Baseline Criteria

|                                     |                               |   |
|-------------------------------------|-------------------------------|---|
| Outside Design Temp.: 0° F (-18° C) | Inside Design R.H.: 30% R.H.  | Furnace Plenum Temp.: 120° F (49° C)                |
| Outside Design R.H.: 70% R.H.       | Air Changes/hour (AC/H): 0.30 | Furnace run time for calculating sq. ft.: 8hr/1 day |
| Inside Design Temp.: 70° F (21° C)  | Ceiling Height: 8 ft          | Voltage 120 VAC @ 60 Hz                             |

### PRODUCT SCHEMATIC



### INSTALLATION INSTRUCTIONS

- Select location on vertical surface of warm air plenum of a forced air handling system for mounting humidifier that allows for service and maintenance. Do not install humidifier where the blanked off ends of a cooling coil will restrict air flow to the humidifier. Cut out a square section 12-1/8" tall by 14-1/8" wide
- Open cover and remove evaporator pad assembly. Humidifier chassis is self retaining, slide top side in first then slide chassis down. Level chassis and install eight screws.
- Mount the self tapping saddle valve on either a cold or a hot water pipe. A side or top mount is best to avoid clogging from pipe sediment. Connect 1/4" O.D. tubing to the saddle valve. Copper tubing requires a brass compression nut and brass sleeve. Plastic tubing requires a brass insert inside the tubing in addition to a plastic ferrule and brass nut.
- Connect 1/4" water supply tube to inlet of solenoid. Connect drain hose to 1/2" spout on humidifier cabinet using hose clamp if necessary. Run 1/2" hose to suitable drain such as floor drain, sewer or laundry sink. Be sure hose has continuous slope and is not kinked at any point.
- Install code-valve (automatic model only)
- Wire unit using appropriate diagram (above) and in accordance with local ordinances.
  - Manual model with furnace circuit board
  - Manual model with contact power to humidity
  - Automatic model with pressure sensing
  - Automatic model with electronic humidistat
- Replace evaporator pad assembly and humidifier cover. Insert low voltage six connector wiring harness from cover into chassis solenoid harness.

### SAFETY NOTES

- Do not use plastic tubing on hot water or in contact with any hot plenum surface or duct.
- Installation of this saddle valve must meet or exceed local codes and ordinances.

